



**EUROPE'S LARGEST RUBBER AND POLYURETHANE
FENDER MANUFACTURER**



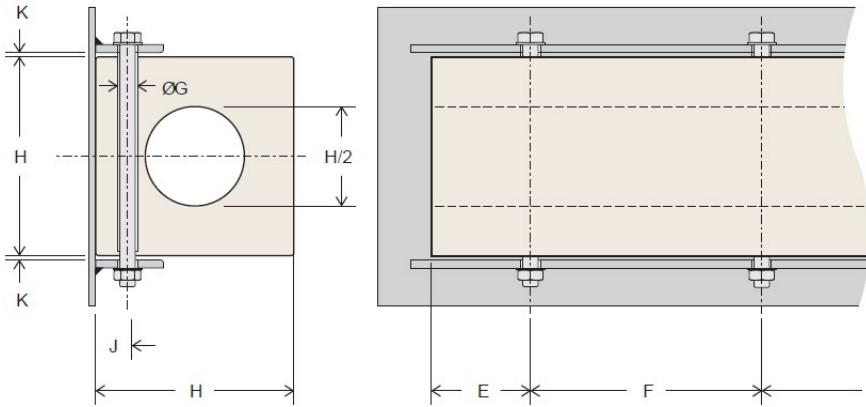
BENCROS S.R.O.
Nábřežie L. Štúra 1173/25
956 18 Bošany, Slovakia



WWW.BENCROS.COM

SC-Fenders

Bencros SC fenders offer durable impact protection for jetties, wharfs, tugs, and loading bays. Available in moulded or extruded form, cut to length, pre-drilled, and shaped as needed. Standard C1 grade, with softer or harder compounds available on request.



H	E	F	ØG	J	K	FLAT BAR	BOLTS	WEIGHT	ENERGY	REACTION
100	90-130	200-300	18	25	5	40 x 5	M12	9.6	2.8	173
150	110-150	250-350	24	30	6	60 x 8	M16	22	6.3	259
200	130-180	300-400	30	45	8	80 x 10	M20	39	11.3	345
250	140-200	350-450	36	50	10	90 x 12	M24	60	17.6	432
300	140-200	350-450	36	50	12	110 x 12	M24	87	25.4	518
350	140-200	350-450	45	60	12	130 x 15	M30	118	34.5	604
400	140-200	350-450	45	80	15	150 x 15	M30	154	45.1	690
500	160-230	400-500	54	90	20	180 x 20	M36	241	70.5	863

Energy and reaction are per metre length and for Bencros C1 (standard) rubber grade. EPDM, polyurethane and other compound types are available. For other sizes, fixing details and other custom features, please ask Bencros.

DISCLAIMER

The information provided in this document is for general informational purposes only and is supplied without responsibility or liability. No guarantees are made regarding the accuracy, reliability, completeness, or timeliness of the content. Bencros s.r.o. reserves the right to modify the information contained herein at any time and without prior notice.

The obligations and responsibilities of Bencros s.r.o. concerning its products are defined solely by the agreements under which they are sold. Unless otherwise agreed in writing, the information in this document, whether from past or current versions, does not form part of any such agreement.

This document does not constitute a guarantee or agreed quality of Bencros s.r.o. products, nor does it imply any warranty of merchantability, fitness for a particular purpose, or non-infringement. Bencros s.r.o. may make changes to its products or services at any time without notice.

The information is provided "as is." To the extent permitted by law, Bencros s.r.o. makes no express or implied warranties and accepts no liability for the use of the content. Bencros s.r.o. shall not be liable for any direct, indirect, incidental, consequential, or punitive damages arising from the use of or reliance on the information provided. Availability of products mentioned may vary by region.

INTELLECTUAL PROPERTY

The trademarks, service marks, and logos (the "Trademarks") displayed in this document are the property of Bencros s.r.o. and/or its affiliates. Nothing herein shall be construed as granting any license or right to use the Trademarks without the express written consent of Bencros s.r.o.

All text, images, graphics, and other content in this document are protected by copyright and other intellectual property rights owned by Bencros s.r.o. and/or its affiliates. The selection, coordination, and arrangement of materials are also the intellectual property of Bencros s.r.o. These materials may not be modified or copied for commercial use or distribution.

© 2025 Bencros s.r.o.

All rights reserved.



330+ CUSTOM FENDER SOLUTIONS

Tailored protection for every marine project – from ports to offshore

FAST DELIVERY: 10 DAYS TO 6 WEEKS

Rapid production and delivery from the heart of Europe

RESPONSIBLE END-OF-LIFE RECYCLING

Sustainable solutions focused on recycling and reuse

SUSTAINABLE EUROPEAN MANUFACTURING

European-made with a focus on quality and environmental care

Interested?

Contact us at sales@bencros.com

or call +421 918 118 986

BENCROS S.R.O.

Nábřežie Ľ. Štúra 1173/25

956 18 Bošany, Slovakia



WWW.BENCROS.COM