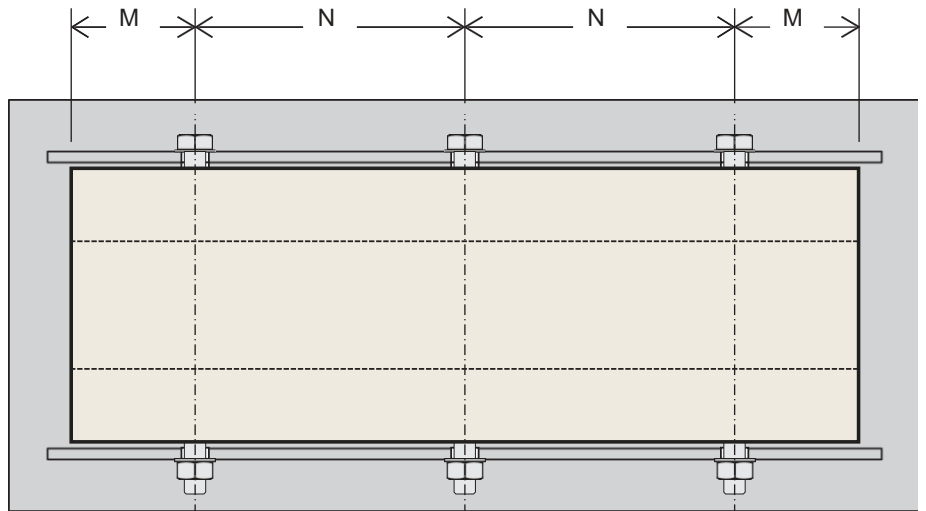
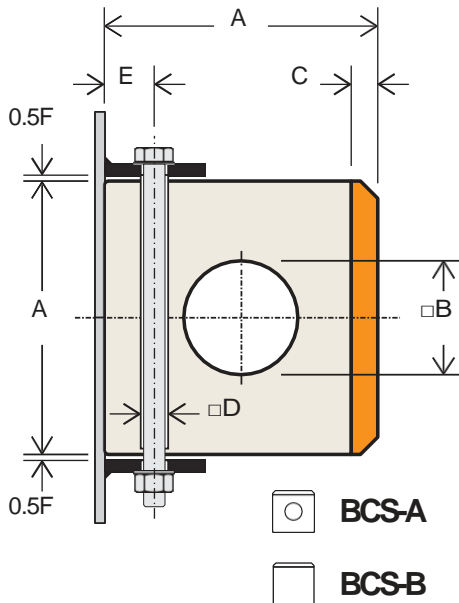


Bencros BCS Composite Fenders are moulded rubber profiles with integrally vulcanised UHMW-PE face plate.

They are hard wearing and low-friction fenders, ideal for beltings on workboats, tugs and barges, as well as impact protection for canal locks, ports and bridges.

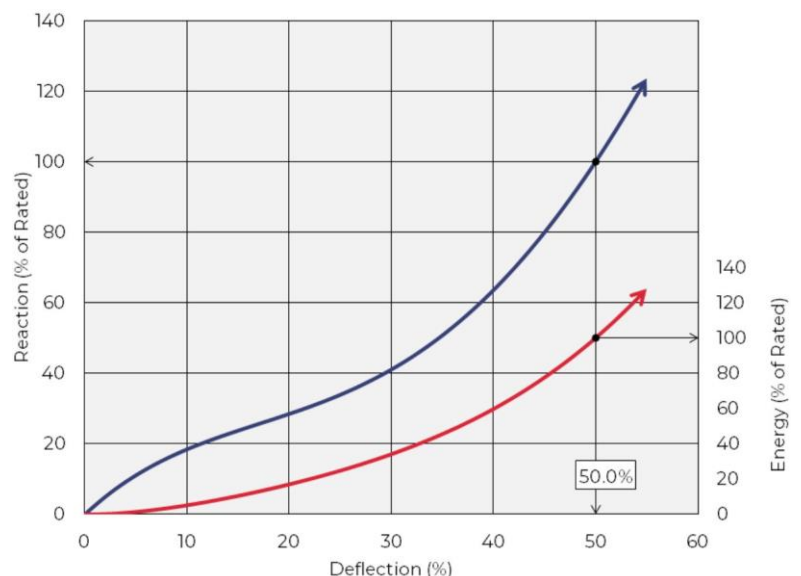
UHMW-PE plate comes in black as standard, or other colours on request. Composite fenders can be supplied pre-drilled and machined with a variety of mounting options.

Please ask Bencros for further details.



A	ØB	ØD	C	E	F	M	N	Flat Bar	Anchors	Weight	
										BCS-A	BCS-B
100	30	18	20	25	10	90-130	200-300	40 x 5	M12	10	11
150	65	24	20	30	12	110-150	250-350	60 x 8	M16	22	27
200	75	30	25	45	20	130-180	300-400	80 x 10	M20	40	48
250	100	36	30	50	25	140-200	350-400	90 x 12	M24	60	75
300	125	36	30	60	30	140-200	350-400	110 x 12	M24	92	108

Performance tolerance is $\pm 20\%$.
Energy and reaction are per metre length and for Bencros C1 (standard) rubber grade.
For other sizes, fixing details and other custom features, please ask Bencros.

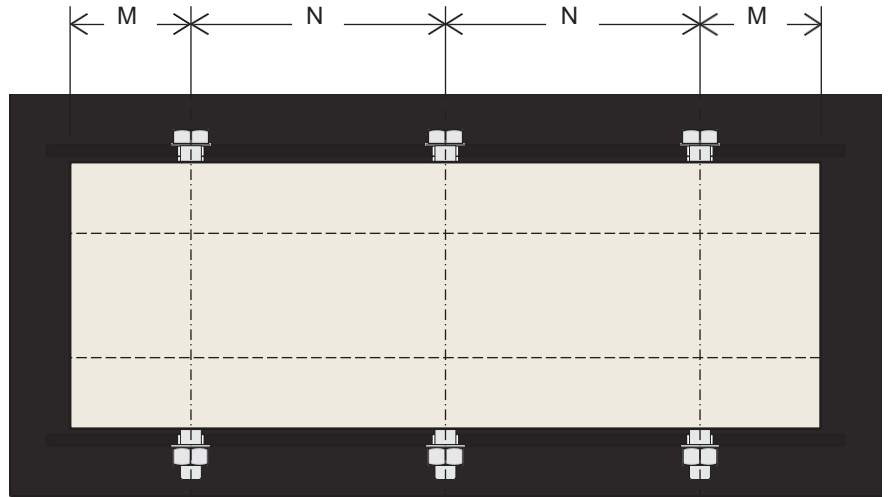
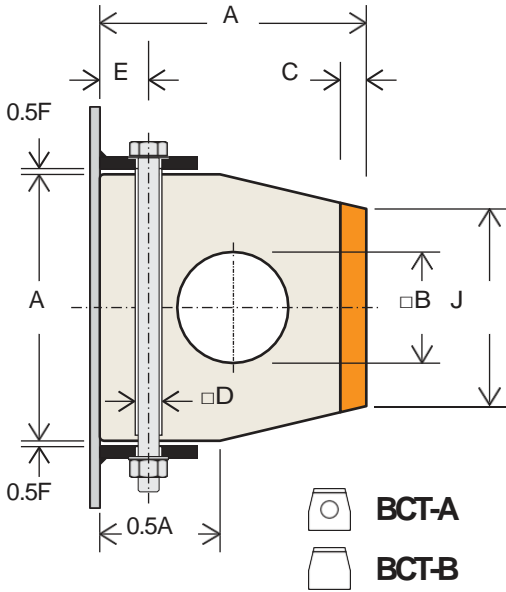


Bencros BCT Composite Fenders are moulded rubber profiles with integrally vulcanised UHMW-PE face plate.

UHMW-PE plate comes in black as standard, or other colours on request. Composite fenders can be supplied pre-drilled and machined with a variety of mounting options.

They are hard wearing and low-friction fenders, ideal for beltings on workboats, tugs and barges, as well as impact protection for canal locks, ports and bridges.

Please ask Bencros for further details.



A	ØB	C	ØD	E	F	J	M	N	Flat Bar	Anchors	Weight	
											BCS-A	BCS-B
80	42	10	18	25	6	60	90-130	200-300	30 x 5	M12	5.4	7.0
100	45	10	18	25	8	74	90-130	200-300	40 x 5	M12	8.4	11
120	62	12	24	30	10	88	110-150	250-350	50 x 6	M16	12	16
150	110	15	24	30	12	110	110-150	250-350	60 x 8	M16	20	25

Performance tolerance is $\pm 20\%$.
 Energy and reaction are per metre length and for Bencros C1 (standard) rubber grade.
 For other sizes, fixing details and other custom features, please ask Bencros.

